

LM-T-PRO RF Series

The **LM-T-PRO RF series of wireless data logger** is a new RF based data logger that measures temperature and transmits data using Radio Frequency to eliminate clumsy and time-consuming wiring requirements. These data loggers are very useful in monitoring data across large facilities as they do not require any wiring. Deployment is very quick and easy. Data are sent by each device directly to the centralized broker (repeater) device and from there to gtekNet™ software over ethernet port. These data can be accessed from any network connected device using standard web browser.

The data logger consists of RF radio transmitter and receiver operating at 869.88 MHz (SRD License Free: EU Version) frequency. These data loggers form a star network with its broker. The broker is connected to the client-server based gtekNet™ software through ethernet. A new data logger when it is in the range of the central node – broker, gets connected to the gtekNet™. Each device transmits its data to the broker and is captured in gtekNet™. Any parameter of the data logger when set / changed from gtekNet™, first goes to the broker and then to the device. These data loggers have an internal memory of 3000 data sets. In the event of communication failure between broker and device or broker and gtekNet™, after reconnection, all the missed data will be synchronized by gtekNet™ automatically. This ensures that no data is missed.

Features:

- RF based data logger
- Up to 100m range (Line of Sight – Actual range may vary based on site condition)
- No wiring required
- Quick to deploy
- LCD Display
- Long battery life > 1 year at 15min Store interval
- Resolution of 0.1
- Up to 3000 data storage

Specifications:

Display and Operator Panels:

Display Type	LCD Display, 3 ¹ / ₂ digits;
Status Indicator	Unit Indication, Individual High and Low Alarm Indication, Battery Status and Storage on Indication

Analog Input Details :

Sensor Types: (PCB mounted, Internal Sensors)	
Temperature	Thermistor 10K / Solidstate
Range	-30 °C to + 60 °C
Accuracy	± 0.5 °C
Resolution	0.1
Measurement Rate	5 min Default



Batch Storage / Data Memory Details :

Start / Stop	Remote Start – Stop through gtekNet™ Software.
Store Interval	5 minutes to 18 Hrs
Memory Size	3000 records;
Memory Type	Rollover

Environmental :

Temperature	(Storage)-40°C to 70°C
Humidity	(Storage) 5 to 90 % RH Non Condensing

Power Requirement :

Supply Voltage	Internal 2x1.5V 2500mAH battery size AA
Battery Life	>12 months @ 25 Deg C, communication @ every 5 mins approx

Communication :

Communication Rate	5 minutes default
RF Transmission Power	869.88 MHz (SRD License Free: EU Version) Tx: 10dBm Rx: -40dBm
Protocol	Proprietary
Range	100m Line of Sight approx. (may vary based on the field conditions and interferences)
Network Topology	Star
RF Data Packet Standard	IEEE 802.15.4, open communication architecture
Antenna	Integrated on PCB Omnidirectional

Alarm Output :

Alarm Set-point	High/Low individually settable for each channel
Alarm Indication	With Display Flashing and arrow to indicate High or Low
Alarm Delay	User Settable - 0 to 255 mins

Overall Dimension

Dimension L x W x D (mm)	135 x 75 x 30Approx
Protection Class	IP54

Select your ORDER Code:

				-		
--	--	--	--	---	--	--

Example ORDER Code:

6	1	1	1	-	5	6
---	---	---	---	---	---	---

Code : Series

6 : LMPro

Code : Input Type

1 : Temp

Code : Power Supply

1 : Battery

Code : Mounting Type

1 : Handheld

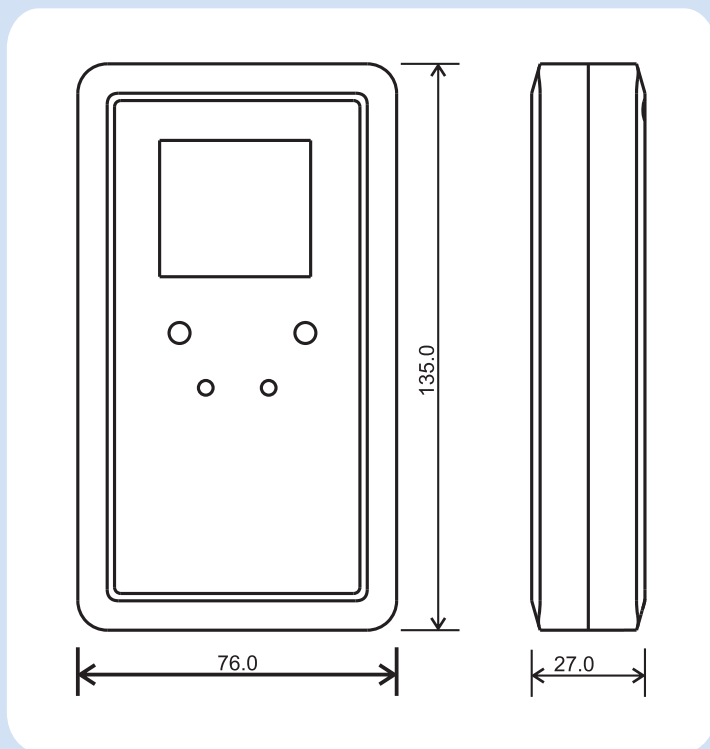
Code : Software

4 : gtekNet™ Non Secure

5 : gtekNet™ Secure

Code : PC Interface

6 : RF



Overall Dimension:

Dimension L x W x D (mm)	135 x 75 x 30 Approx
--------------------------	----------------------



Dealer / Representative

Manufacturers of :

- Circular Chart Recorders
- Strip Chart Recorders
- Inkless Recorders
- Paperless Recorders
- Scanners & Data Loggers
- Networked Data Loggers
- Application Software
- Web based DAQ

G-TEK CORPORATION PVT. LTD.

3, mahavir industrial estate,
nr. jalaram mandir, karelibaug,
vadodara - 390 018.
tel.: +91-265-2461912
e-mail: info@gtek-india.com
url: www.gtek-india.com

The specifications given above are an overview, and may be or may not be available in all product variants, or at an additional cost. The company reserves the right to change the specifications without prior notice, as the company follows a continual improvement philosophy for its products.